



Star Engineering

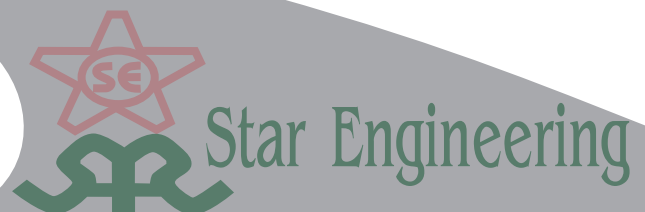
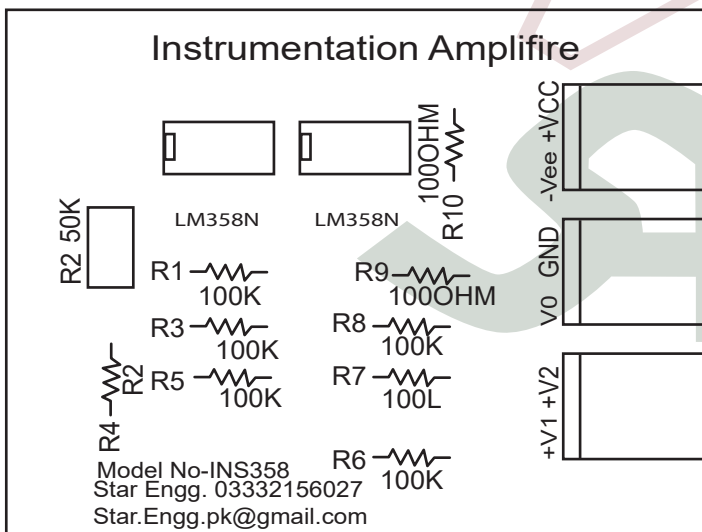
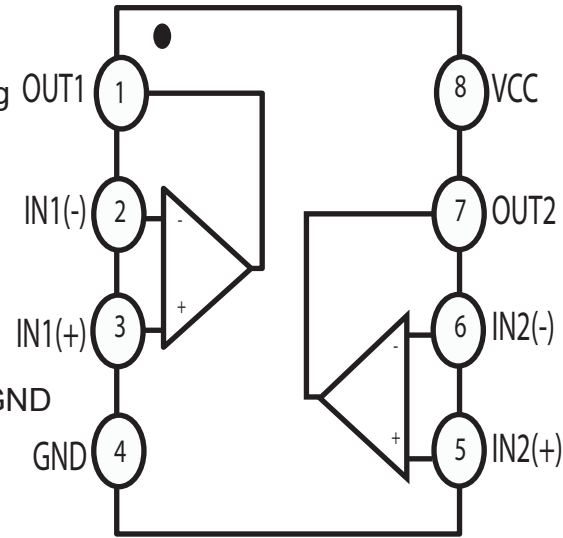
Instrumentation Amplifire

How to use the board INS358

In instrumentation amplifire potentiometer can be use for gain setting from 2 to 10 but it can be changed by changing gain resistor R2.

Dual supply will be used at -VEE and +VCC with common ground GND. Single ended Vout is provided along with ground and connector. While differential input should be given at V1 and V2 keeping in mind that V2 is high potential or positive, whether V1 is low potential or negative.

In case of single ended power supply connect -VE and +VE supply terminals at -VEE and +VCC respectively while the board will creat GND at mid supply level it self. Don't forget connect the ground of the system for where the differential signal are coming.



Address: D-3, Abdullah Apartments Block 16, Gulistan-e-jauhar, Karachi.

Contact no: +92-333-215-6027. E-Mail: Star.engg.pk@gmail.com